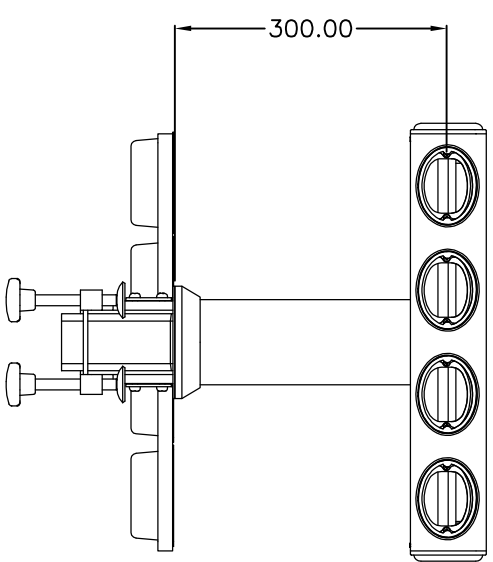
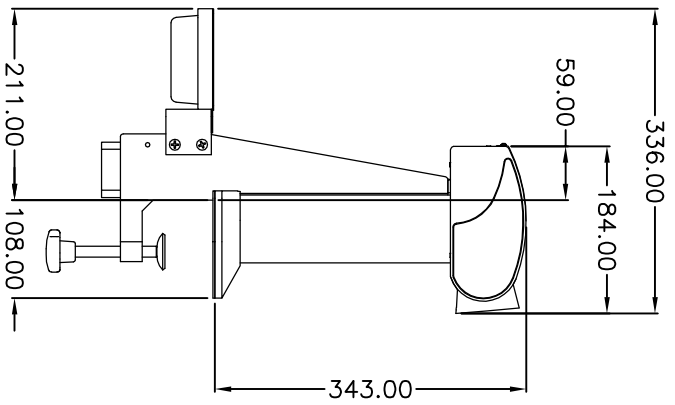
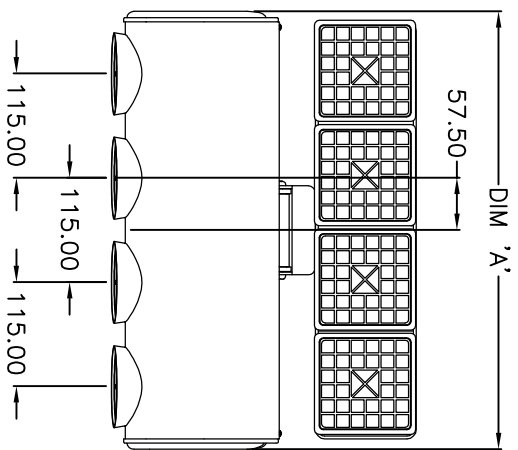
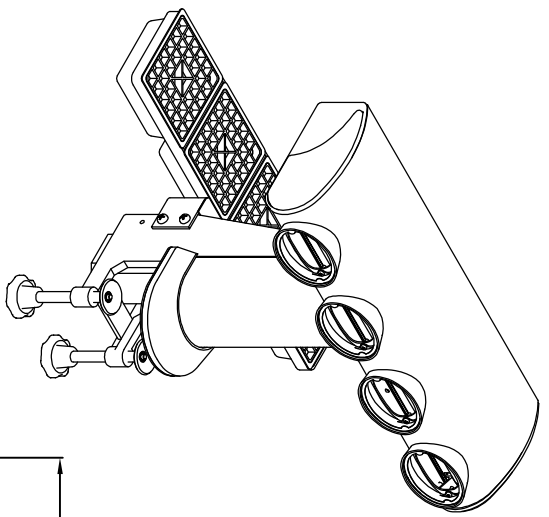


MANUFACTURE

DO NOT SCALE - IF IN DOUBT ASK! REMOVE ALL BURRS & SHARP EDGES ALL DIMENSIONS IN MILLIMETRES



OUT	DIM 'A'
2 OUT	253.00
3 OUT	368.00
4 OUT	483.00
5 OUT	598.00
6 OUT	713.00
7 OUT	828.00

Rev.	DESCRIPTION	DATE	SIG	<p>THIS DRAWING IS THE EXCLUSIVE PROPERTY OF DRINK DISPENSE GROUP IT MUST NOT BE COPIED OR LENT WITHOUT THE WRITTEN CONSENT OF DRINK DISPENSE GROUP AND MUST BE RETURNED UPON REQUEST.</p>		<p>SYMBOLS & DIMENSIONS ETC. TO BS308-1993</p>		<p>MATERIAL FINISH DRAWING SCALE</p>		<p>MATERIAL FINISH DRAWING SCALE</p>		<p>TITLE OVERALL DIMENSIONS FOR ARIEL T-BAR FOUNTAIN</p>	
B	7 OUT ADDED; REDRAWN IN AUTOCAD	08/12/03	JUB	N/A	OJB	NATURAL	1:6	ONE PLACE (X) ±0.5	UNLESS STATED DIM TOLERANCES	LAKESIDE HOUSE	DRG No.	SK000004	REV
								TWO PLACES (XX) ±0.25		TURNOAKS PARK			B
								THREE PLACES (XXX) ±0.125		BURLEY CLOSE			
								ANGLES ±1°		CHESTERFIELD			
										SA0 2UB			